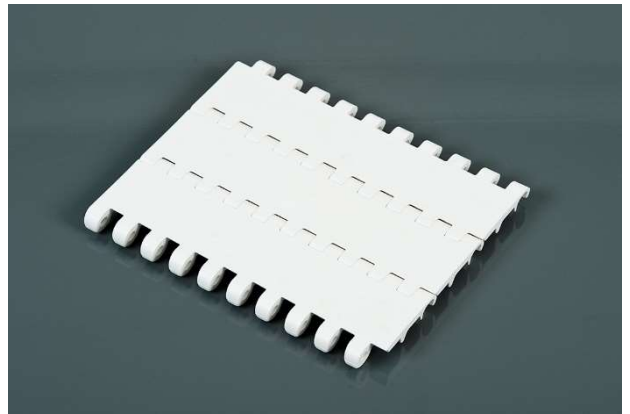
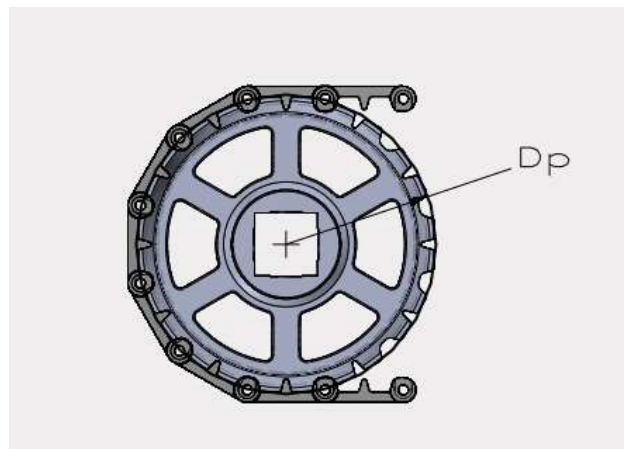


SM50-10

- Straight running belt
- Pitch 50 mm
- Closed belt.
- Belt height: 16 mm
- Standard width increment: 20 mm
- Easy to clean design
- Hinges pins: $\varnothing 6$ mm, PE, PP, POM



Standard material	Open area %	Maximum belt pull N/mm	Belt weight kg/m ²	Standard colors
PE	0	13	7,9	White, dark blue, light blue
PP	0	18	7,9	White, dark blue, light blue
POM	0	30	12,2	White, dark blue, light blue

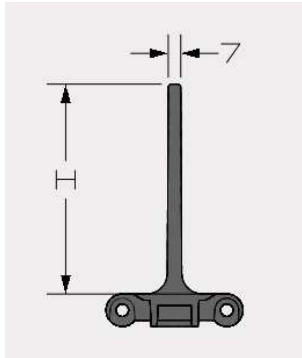


Number of teeth	Pitch diameter(Dp)	Outside diameter	Inside diameter	Round bore	Square bore	Hub width	Standard materiel
Z6	100	116	84	20/30/40	40	40	POM
Z8	130,6	146,6	114,6	25/30/40	40	40	POM
Z10	161,8	169,8	137,8	30/40/50/60	40/60	40	POM
Z12	186,6	202,6	170,6	30/40/50/60	40/60	40	POM

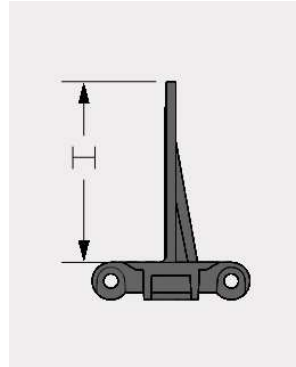
Other bore size and teeth upon request.

Accessories

Flights



Standard flight



supported flight

Height H1	Standard flight	Supported flight	Bent flight	Round top
3 mm				
25 mm	•			•
50 mm	•			•
75 mm	•	•	•	•
100 mm	•	•	•	•
150 mm	•		•	•

For special applications and sizes please contact HETO-DAN for further information's.

Side guards



25, 50, 100 mm height

Hold down

