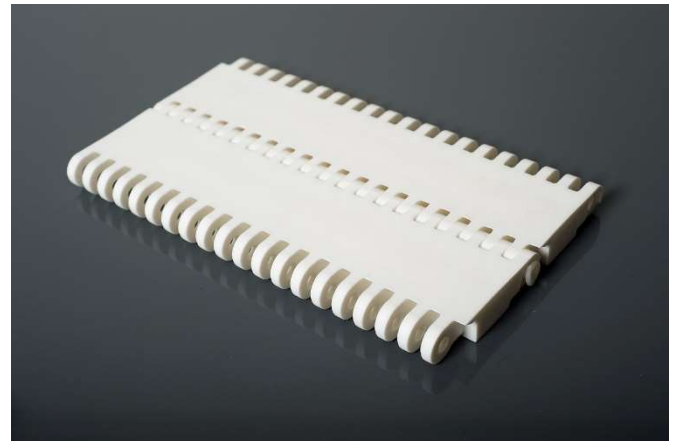
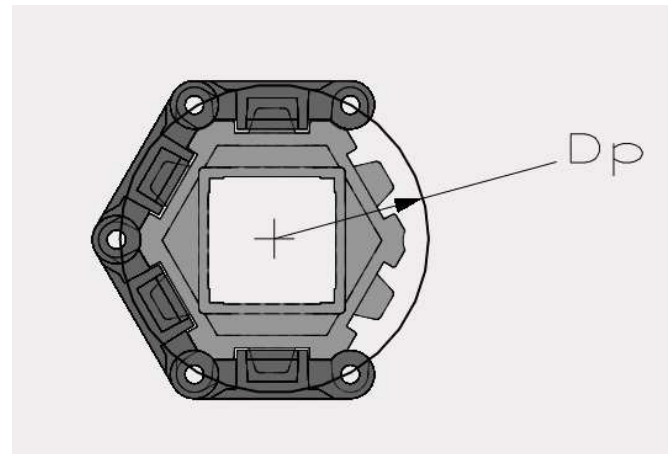


SM50-00

- Straight running belt
- Pitch 50 mm
- Belt Height: 15,5 mm
- Closed belt.
- Standard width increment: 10 mm
- hinges pin: \varnothing 6 mm, PP, PE, POM, Steel



Standard material	Open area %	Maximum belt pull N/mm	Belt weight kg/m ²	Standard colors
PE	0	23	7,9	White, dark blue, light blue
PP	0	31	7,9	White, dark blue, light blue
POM	0	41	12,3	White, dark blue, light blue

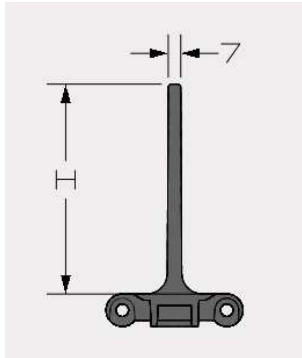


Number of teeth	Pitch diameter(Dp)	Outside diameter(Do)	Inside diameter(Di)	Round bore	Square bore	Hub width	Standard materiel
Z6	100	116	84	20/30/40	40	40	POM
Z8	131,8	147,8	115,8	25/30/40	40	40	POM
Z10	162	178	146	30/40/50/60	40/60	40	POM
Z12	193,2	209,2	177,2	30/40/50/60	40/60	40	POM

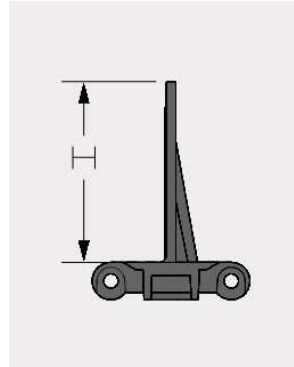
Other bore size and teeth upon request.

Accessories

Flights



Standard flight



supported flight

Height H1	Standard flight	Supported flight	Bent flight	Round top
3 mm				
25 mm	•			•
50 mm	•			•
75 mm	•	•	•	•
100 mm	•	•	•	•
150 mm	•		•	•

For special applications and sizes please contact HETO-DAN for further information's.

Side guards



25, 50, 100 mm height

Hold down

