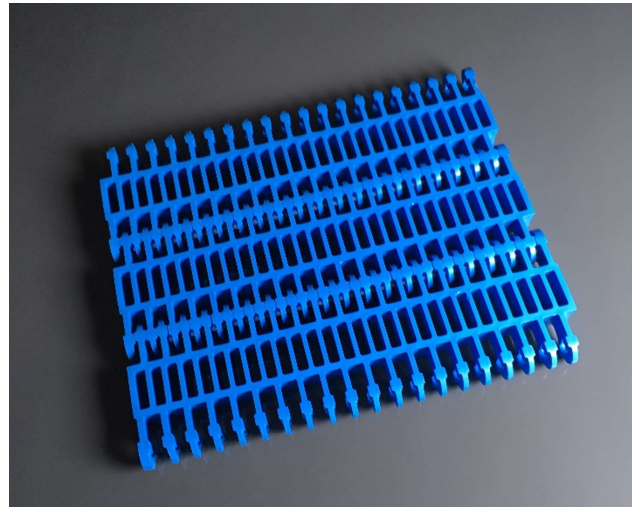
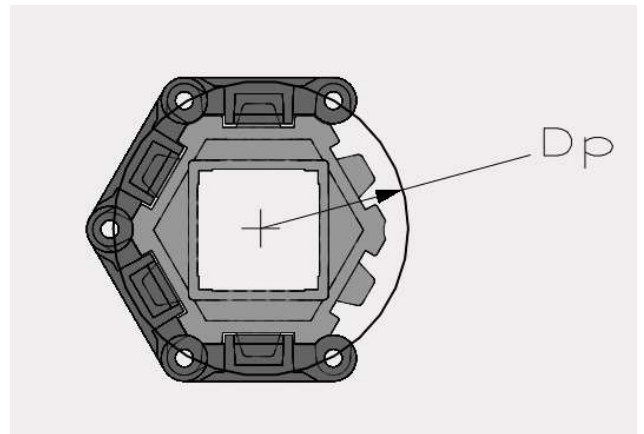


SM50-06

- Straight running belt
- Pitch 50 mm
- Open belt, open area 48,1 %.
- Belt height: 16 mm
- Standard width increment: 10 mm
- Hinges pins: $\varnothing 6$ mm, PE, PP, POM, Steel



Standard material	Open area %	Maximum belt pull N/mm	Belt weight kg/m ²	Standard colors
PE	48,1	10	6,2	White, dark blue, light blue
PP	48,1	14	6,2	White, dark blue, light blue
POM	48,1	21	9,5	White, dark blue, light blue

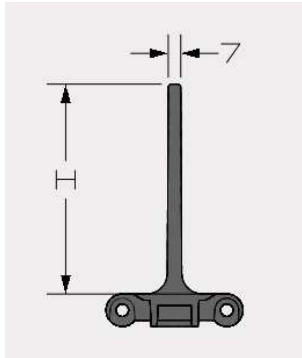


Number of teeth	Pitch diameter(Dp)	Outside diameter(Do)	Inside diameter(Di)	Round bore	Square bore	Hub width	Standard materiel
Z6	100	116	84	20/30/40	40	40	POM
Z8	131,8	147,8	130,8	25/30/40	40	40	POM
Z10	162	178	146	30/40/50/60	40/60	40	POM
Z12	193,2	209,2	177,2	30/40/50/60	40/60	40	POM

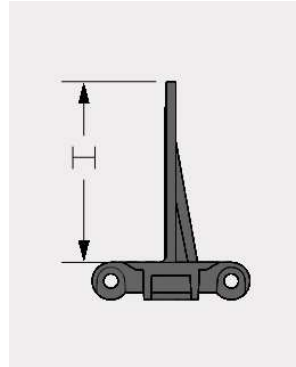
Other bore size and teeth upon request.

Accessories

Flights



Standard flight



supported flight

Height H1	Standard flight	Supported flight	Bent flight	Round top
3 mm				
25 mm	•			•
50 mm	•			•
75 mm	•	•	•	•
100 mm	•	•	•	•
150 mm	•		•	•

For special applications and sizes please contact HETO-DAN for further information's.

Side guards



25, 50, 100 mm height

Hold down

