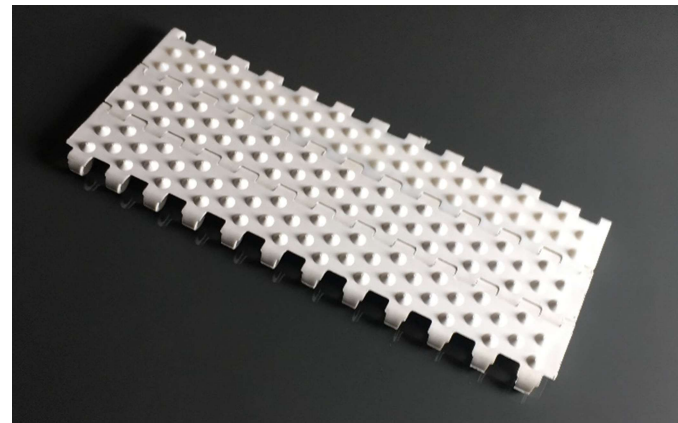
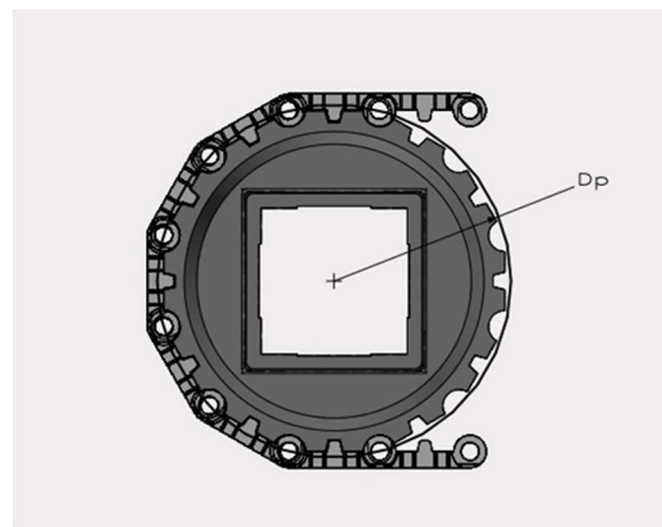


SM25-03

- Straight running belt
- Pitch 25 mm
- Belt Height: 9 mm
- Open belt, open area 18%
- Rod, plastic, steel \varnothing 5 mm
- Standard width increment: 16,66 mm
- easy to clean belt design
- hinges pin: PP, PE, POM, Steel



| Standard material | Open area % | Maximum belt pull N/mm | Belt weight kg/m ² | Standard colors |
|-------------------|-------------|------------------------|-------------------------------|------------------------------|
| PE | 0 | 6,2 | 4,2 | White, dark blue, light blue |
| PP | 0 | 10 | 4,2 | White, dark blue, light blue |
| POM | 0 | 14,9 | 6,2 | White, dark blue, light blue |

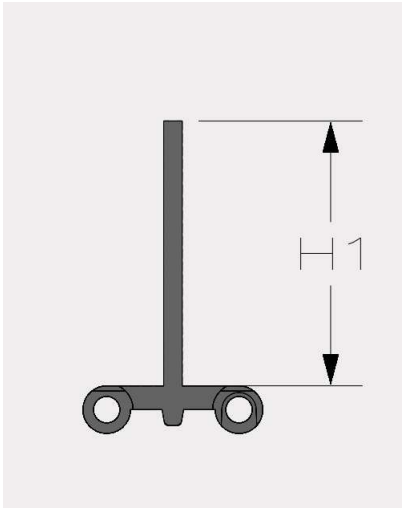


| Number of teeth | Pitch diameter(Dp) | Outside diameter | Inside diameter | Round bore | Square bore | Hub width | Standard materiel |
|-----------------|--------------------|------------------|-----------------|------------|-------------|-----------|-------------------|
| Z6 | 50 | 59 | 41 | 20 | 25 | 20 | POM |
| Z12 | 97,9 | 106,9 | 88,9 | 25/30/40 | 25/40 | 40 | POM |
| Z20 | 159,8 | 168,8 | 150,8 | 30/40 | 40 | 40 | POM |

Other bore size and teeth upon request.

Accessories

Flights



| Height H1 | Standard flight | Supported flight | Bent flight | Round top |
|-----------|-----------------|------------------|-------------|-----------|
| 3 mm | • | | | |
| 25 mm | • | | | |
| 50 mm | • | | | |
| 75 mm | | | | |
| 100 mm | | | | |
| 150 mm | | | | |

For special applications and sizes please contact HETO-DAN for further information's.

Side guards



25, 50 mm height

Hold down

